

[DRSP TYPE] 面實裝 POWER CHOKE CORES 基座型

INDUCTANCE VS. CURRENT CURVE

Inductance Range: (1.0 μ H~1200 μ H)

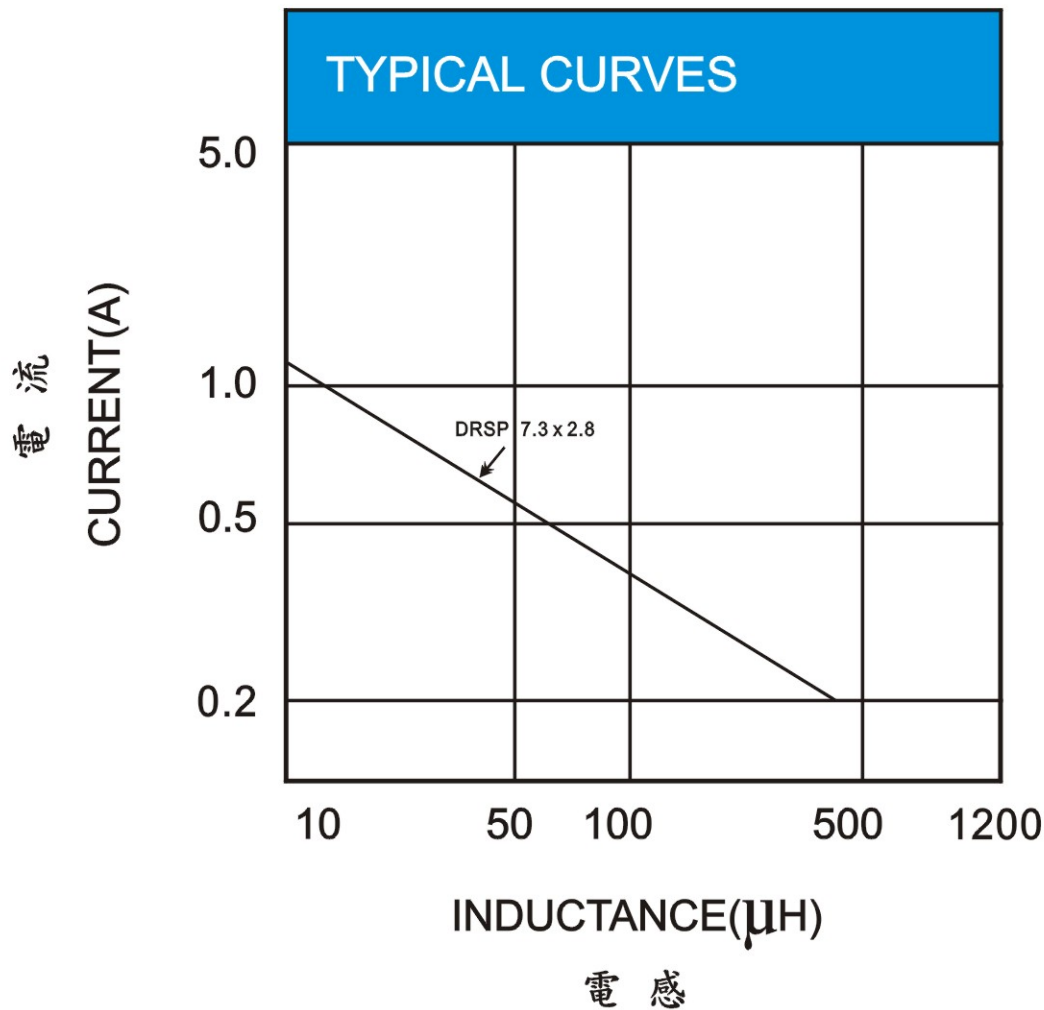
TYPICAL ELECTRICAL CHARACTERISTICS CURVE:

DRSP 7.3 x 2.8~DRSP3.07 x 2.25

TEST INSTRUMENT ZENTECH 101 & 301A

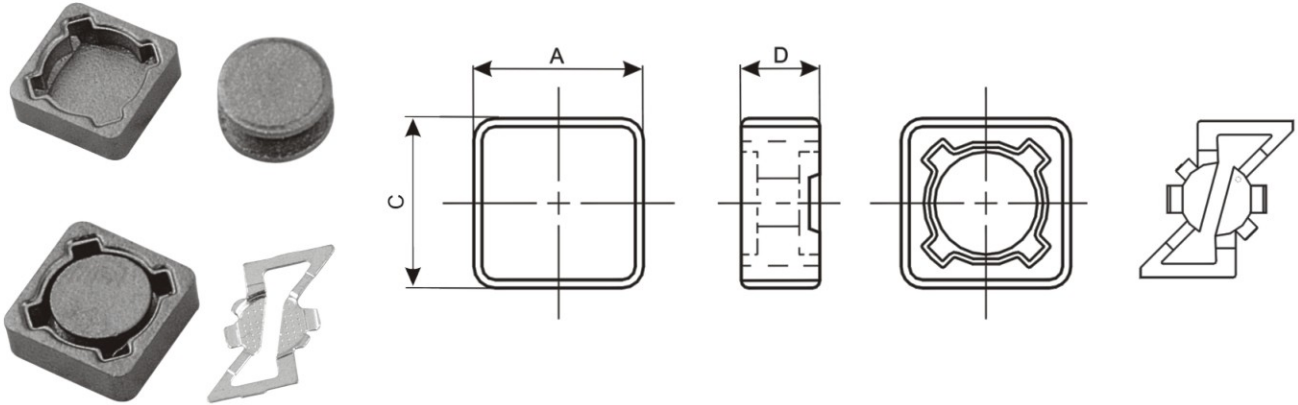
INDUCTANCE VS. CURRENT (REFERENCE)

電感值 – 電流(參考值)



[DRSP TYPE] 面實裝 POWER CHOKE CORES 基座型

Base Type



FEATURES 特長

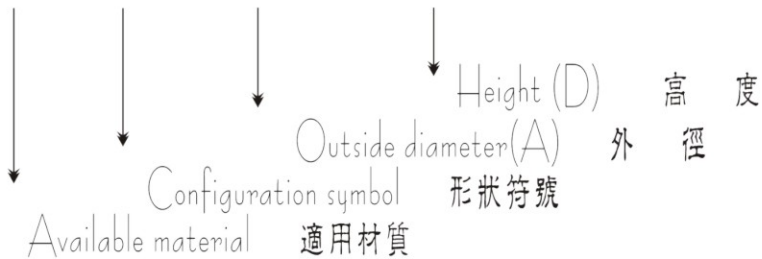
提供高飽和磁通且耐定格電流，高感度，防止高頻輻射干擾之密閉型，特殊金屬電極處理之磁芯。

Special metallic electrode treatment cores offer high Bms, large rated current, high inductance, magnetically shielded structure prevents interference from peripheral components.

PRODUCT IDENTIFICATION

產品識別碼

DL5 DRSP 7.3 × 2.8



USEAGE 用途

傳呼機
記憶卡
攜帶型裝置之
末端配件。

B. B Call;
SMC;
Personal Digital
Assistant.

DIMENSION 尺寸

UNIT:m/m
CORE DIMENSION

Core Order Code	A	C	D	DR	SP
DRSP 7.3X2.8	7.3±0.2	7.3±0.2	2.7±0.10	5.3X2.0	7.3X5.6X2.7
DRSP 7.3X3.65	7.3±0.2	7.3±0.2	3.5±0.15	5.3X2.8	7.3X5.6X3.5

[DRSP TYPE] 面實裝 POWER CHOKE CORES 基座型

STANDARD SPECIFICATIONS OF DRSP POWER CHOKE CORES 面實裝基座型 & 鍍銀型, 電感值, 直流抵抗, 定格電流規格表

Tolerance of Inductance:
電感值公差

DRSP 7.3×2.8:
10~470μH±30%

Inductance 電感 L(μH)	DCR(Ω)Max. 直流抵抗			Rated D.C.Current(A) 定格電流		
	DRSP 7.3×2.8	DRSP 7.3×3.65	DRSP 3.07×2.25	DRSP 7.3×2.8	DRSP 7.3×3.65	DRSP 3.07×2.25
1.0						
1.4						
1.8						
2.2						
2.7						
3.3						
3.9						
4.7						
5.6						
6.8						
8.2						
10	0.09			1.40		
12	0.10			1.30		
15	0.13			1.20		
18	0.15			1.10		
22	0.17			1.00		
27	0.21			0.88		
33	0.24			0.80		
39	0.31			0.75		
47	0.35			0.67		
56	0.40			0.62		
68	0.52			0.54		
82	0.60			0.52		
100	0.70			0.46		
120	0.82			0.42		
150	1.35			0.37		
180	1.50			0.33		
220	1.70			0.30		
270	1.90			0.28		
330	2.80			0.25		
390	3.00			0.22		
470	3.50			0.20		
560						
680						
820						
1000						
1200						

- ▶ This indicates the value of current when the inductance is 10% lower than its initial value at D.C. Superposition or the value of D.C. Current when temperature rise $\Delta t=40^{\circ}\text{C}$ whichever is lower.
- ▶ For any DRSP core requirement not listed in the catalog, please feel free to contact with us for more information.